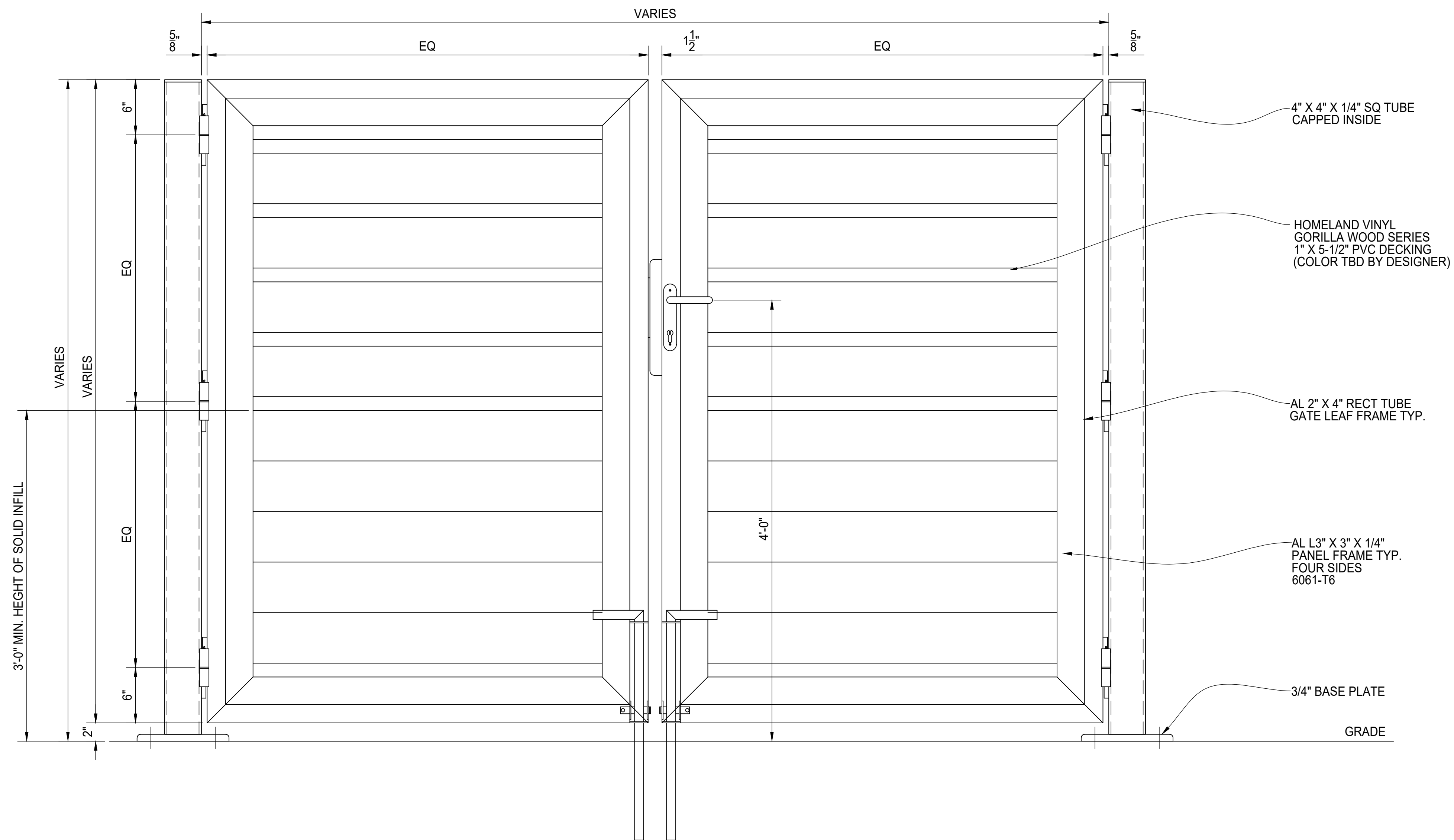


PLAN VIEW



ELEVATION VIEW

DOUBLE DRIVE GATE ASSEMBLY

REV	DESCRIPTION	DATE



**PLAYSAFE
PLAYGROUND SCREENING
SEMI-SOLID COMPOSITE INFILL
DOUBLE DRIVE GATE ELEVATION**

AMERICAN FENCE PROJECT #	CLIENT PROJECT #
REFERENCE JOB #	
CHKD BY: AF	SCALE: N.T.S.
DRAWN BY: PB	DATE: 06/27/2022
REV	SHEET # 01