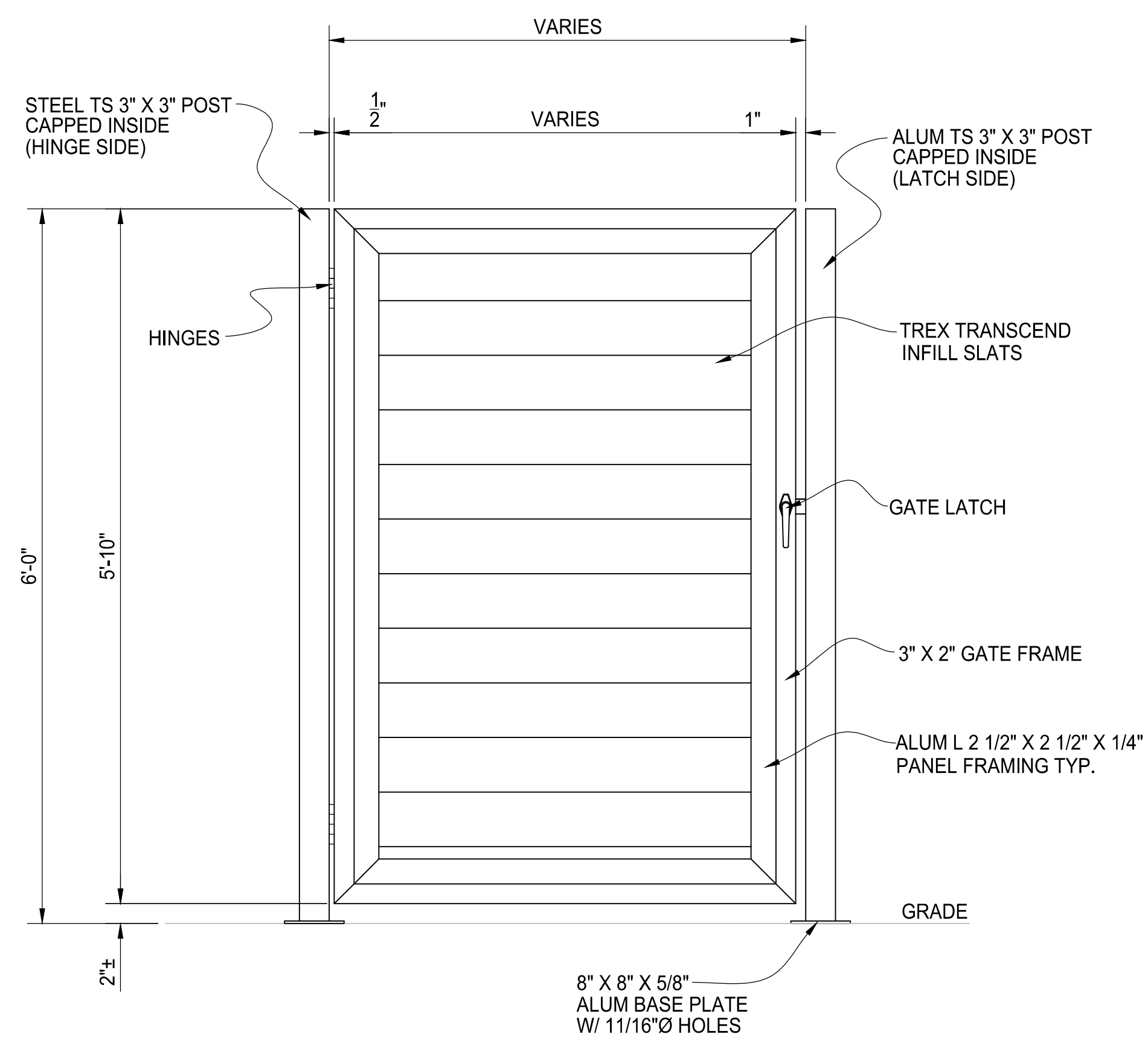


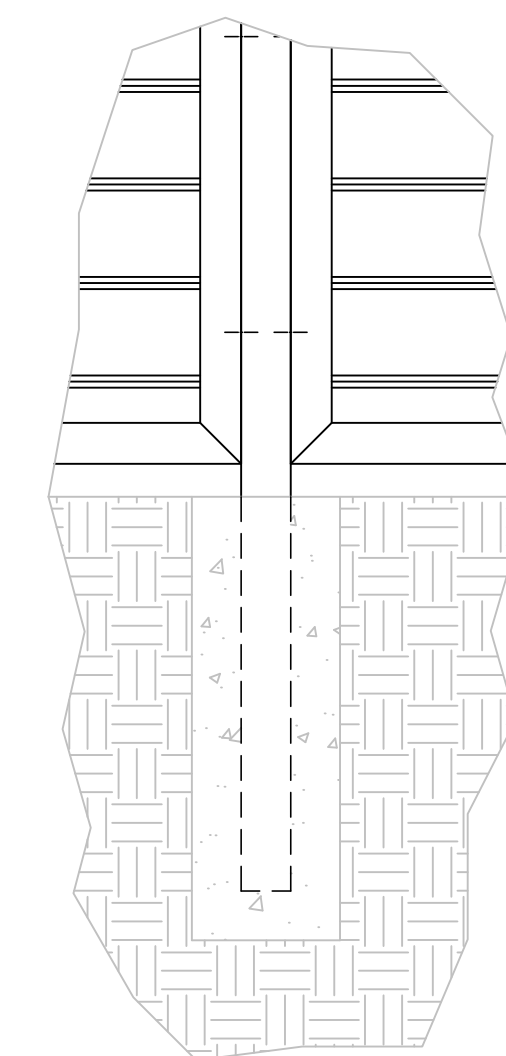
PLAN VIEW



ELEVATION VIEW

**SINGLE SWING GATE ASSEMBLY**

HINGE SIDE AND OPENING DIRECTION MAY VARY



NOTE:  
POST CAN BE SET WITH EITHER A BASE PLATE (SHOWN AT LEFT)  
OR EMBEDDED IN A FOOTING. IF USING A FOOTING, DEPTH AND  
DIAMETER TO BE DETERMINED BY END USER.

NOTE:  
PANELS SHIPPED FULLY FABRICATED AND ASSEMBLED. PANEL FRAMEWORK  
AND INFILL COLOR TO BE DETERMINED. PANEL FRAME WORK AND INFILL  
COMPOSITE COLOR TO BE DETERMINED.

REV	DESCRIPTION	DATE



ARCHITECTURAL SOLID SCREENING  
SINGLE SWING GATE AND POST DETAIL  
COMPOSITE INFILL

AMERICAN FENCE PROJECT #	CLIENT PROJECT #
REFERENCE JOB #	SCALE: N.T.S.
CHKD BY:	DRAWN: AF DATE: 02/13/2019 REV: SHEET # 03